



8× APL Trunk  
2× 10/100M BASE-T  
2× 100M SFP

-40°C 70°C  
IP66  
35mm

**0 G**  
TP3X(2 50V 57.5W)  
1000



1× APL Trunk  
1× 10M BASE-T

-40°C 70°C  
35mm

**0 G**  
TP3X(2 50V 57.5W)  
1000



2× APL Trunk  
12× APL Spur

IP66  
Ex ic nA [ ic Gc] IIC T4 Gc

-40°C 70°C




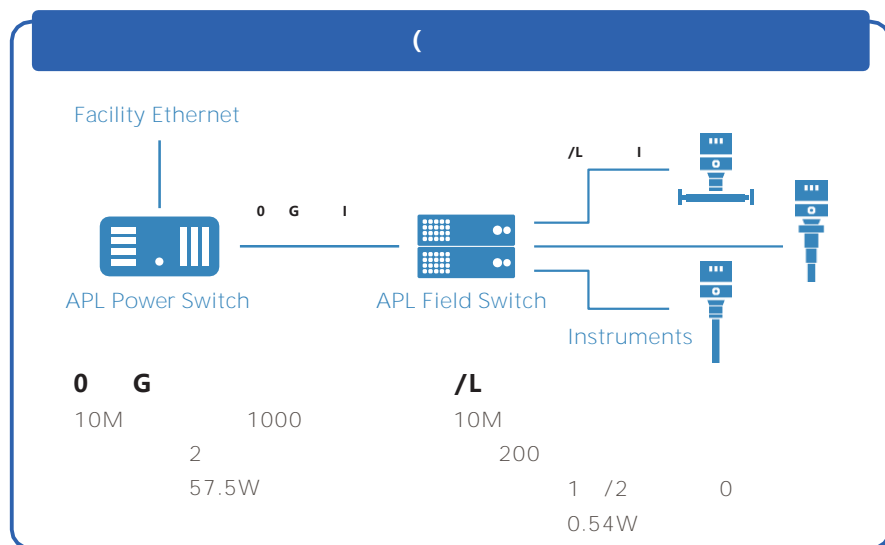
**0 G**  
TL3X 2 50V 57.5W  
1000  
**/L**  
SPAC 2 0.54W /



IEEE 802.3cg 10BASE-T1L(IEEE802.3cg-2019) 10Mbps  
1000

Trunk Spur

IEC61158-2

\* E \* OMC I/O I/O APL

APL \* E \* OMC

